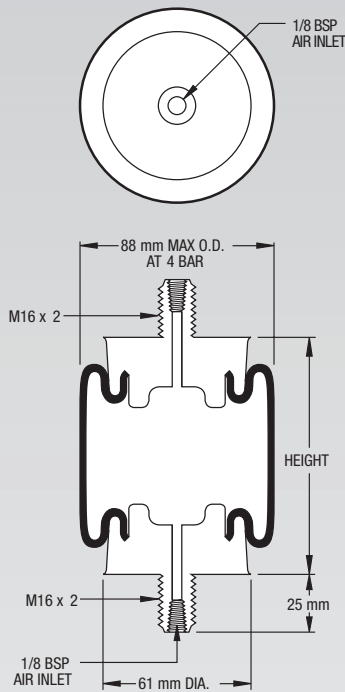


AIRSTROKE ACTUATOR ONLY

	Description	Assembly Order No.
Style 2M1A	1/8 BSP, each end	W02-M58-3002
Two Ply Bellows		
Assembly weight.....		.27 kg.
Force to collapse to minimum height (@ 0 BAR)..		133.5 N.

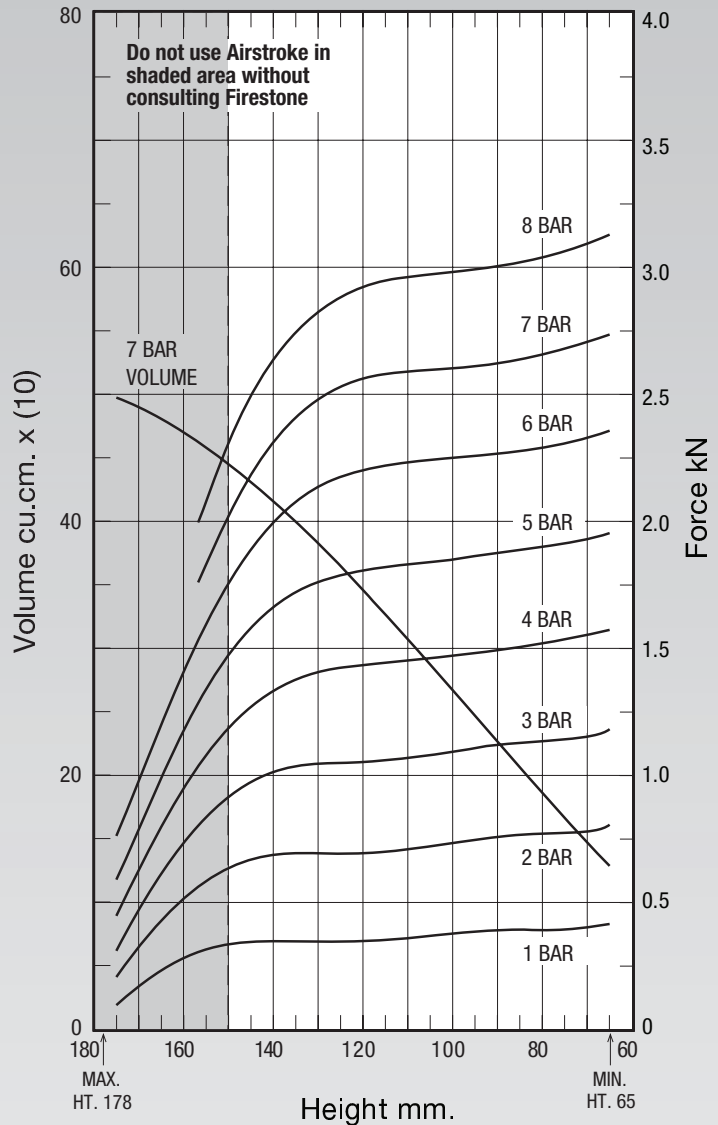


NOTE: This Airstroke actuator must be guided throughout the stroke.

NOTE: Do not use as an Airmount isolator.

NOTE: Plug off one end. (This part is single acting)

NOTE:
Do not use as an Airmount isolator



See page 12 for instructions on how to use chart.

Force Table (Use for Airstroke™ actuator design)							
Assembly Height (mm)	Volume @ 7 BAR (cu cm)	EFF Area @ 7 BAR (cm**2)	kN Force				
			@ 3 BAR	@ 4 BAR	@ 5 BAR	@ 6 BAR	@ 7 BAR
140	413	33	1.01	1.33	1.65	1.98	2.29
130	379	35	1.04	1.41	1.76	2.13	2.47
120	344	37	1.05	1.44	1.81	2.20	2.56
110	306	37	1.07	1.45	1.83	2.23	2.60
100	268	37	1.09	1.48	1.85	2.25	2.61
90	227	38	1.12	1.50	1.87	2.27	2.63
80	189	38	1.13	1.52	1.90	2.30	2.66
70	150	39	1.15	1.54	1.93	2.33	2.71