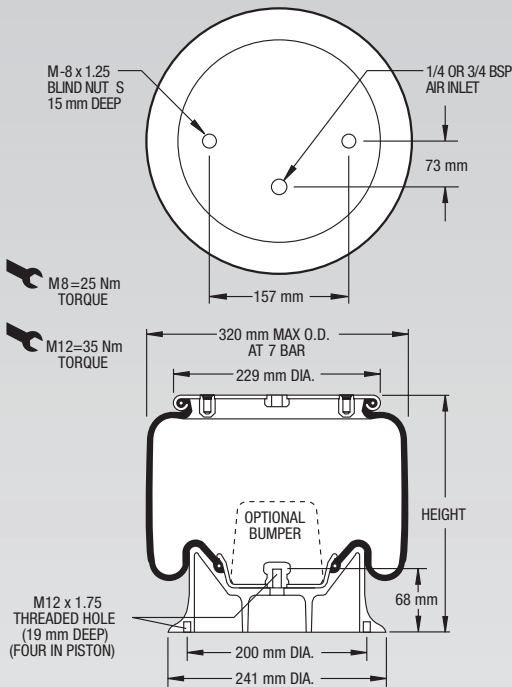


1T15M-2 Firestone



NOTE: All Assembly Order Numbers are for bead plate parts unless noted otherwise.

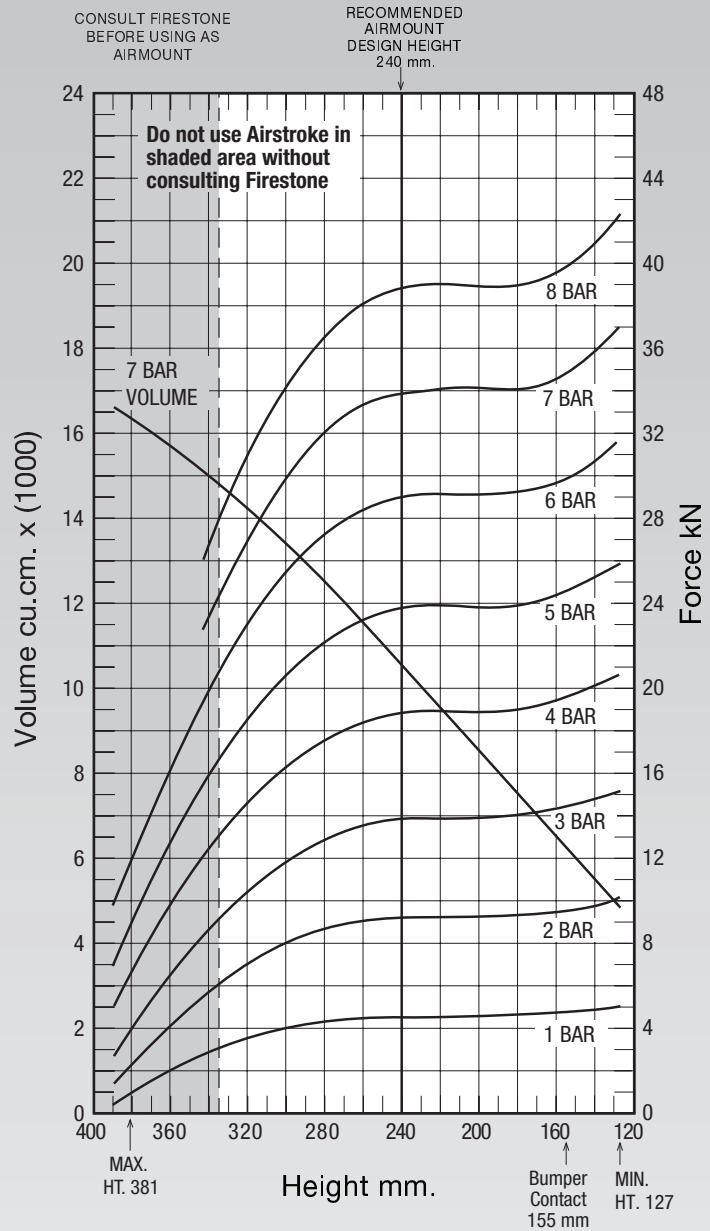
Style	Description	Assembly Order No.
1T15M-2	Blind nuts, 1/4 BSP, bumper	W01-M58-6273
	Blind nuts, 3/4 BSP	W01-M58-6270
Two Ply Bellows	Blind nuts, 3/4 BSP, bumper	W01-M58-6271
Assembly weight.....		5.99 kg.



NOTE: Bellows will not compress properly with less than .7 BAR internal pressure.

NOTE: A bead plate part is shown. This part is also available with a bead ring. Bolts are not included. See pages 8-10 for explanation.

Dynamic Characteristics at 240 mm Design Height (Required for Airmount isolator design only)			
Gauge Pressure (BAR)	Load (kN)	Spring Rate (kN/m)	Natural Frequency Hz
3	13.74	128	1.52
4	18.78	166	1.48
5	23.70	201	1.45
6	29.05	238	1.43
7	33.91	271	1.41



See page 12 for instructions on how to use chart.

Force Table (Use for Airstroke™ actuator design)							
Assembly Height (mm)	Volume @ 7 BAR (cu cm)	EFF Area @ 7 BAR (cm sq)	kN Force				
			@ 3 BAR	@ 4 BAR	@ 5 BAR	@ 6 BAR	@ 7 BAR
300	13442	423	11.82	16.18	20.46	25.24	29.59
280	12542	454	12.83	17.51	22.11	27.18	31.80
260	11597	475	13.45	18.36	23.17	28.43	33.22
240	10616	485	13.74	18.78	23.70	29.05	33.91
220	9613	486	13.82	18.90	23.85	29.19	34.05
200	8562	486	13.83	18.90	23.85	29.19	34.05
180	7512	486	13.90	18.97	23.90	29.20	34.05
160	6473	492	14.15	19.30	24.27	29.59	34.46