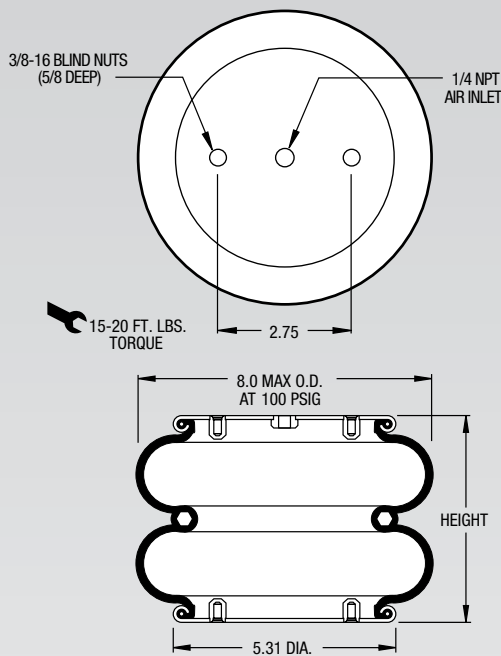


| Description | | Assembly Order No. |
|---|---|--------------------|
| Style 224 | Blind nuts, 1/4 NPT | W01-358-3400 |
| | Blind nuts, 3/4 NPT | W01-358-3403 |
| Two Ply Bellows | Countersunk steel bead rings, 1 3/4 bolts, nuts, washers, | W01-358-3407 |
| Assembly weight | | 5.0 lbs. |
| Force to collapse to minimum height (@ 0 PSIG)... | | 14 lbs. |

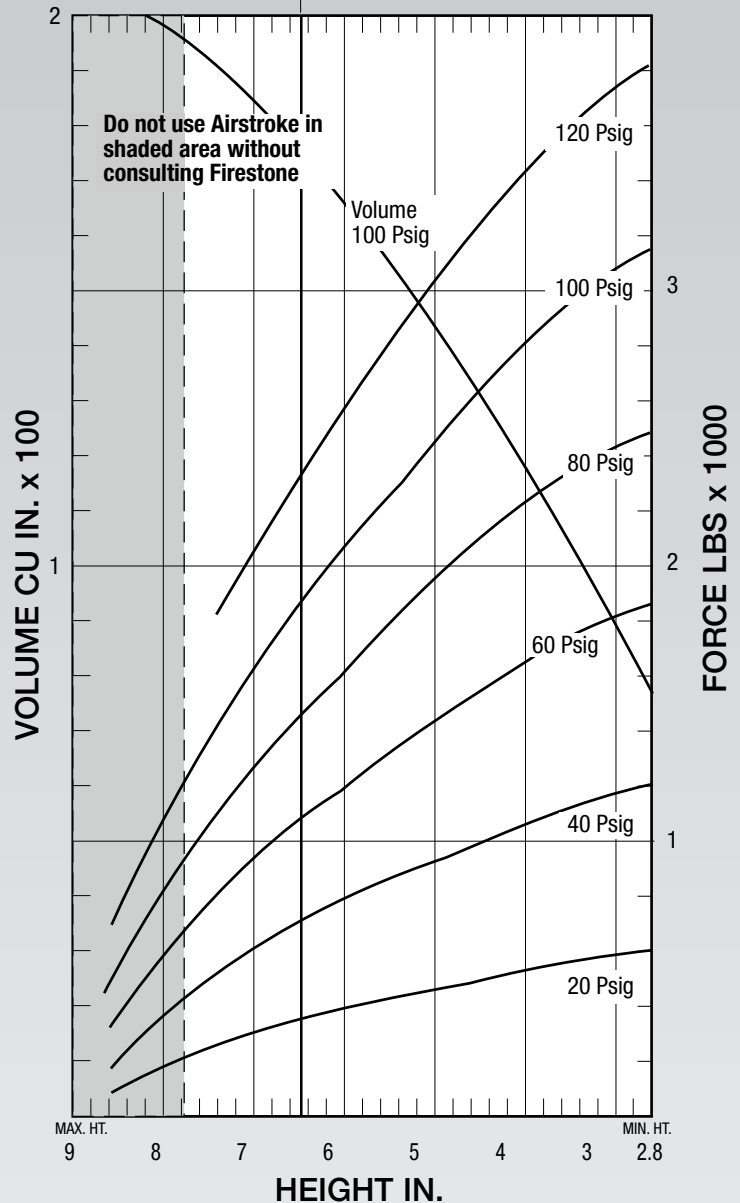


NOTE: A bead plate part is shown. This part is also available with bead rings. See pages 8-10 for explanation.

| Dynamic Characteristics at 6.5 in. Design Height (Required for Airmount isolator design only) | | | | |
|--|-------------|------------------------|-------------------|------|
| Volume @ 100 PSIG = 171 in ³ | | | Natural Frequency | |
| Gage Pressure (PSIG) | Load (lbs.) | Spring Rate (lbs./in.) | CPM | HZ |
| 40 | 730 | 361 | 132 | 2.20 |
| 60 | 1,130 | 523 | 128 | 2.13 |
| 80 | 1,530 | 690 | 126 | 2.10 |
| 100 | 1,940 | 849 | 124 | 2.07 |

Recommended Design Position Static Pressure 0-100 psi

RECOMMENDED AIRMOUNT DESIGN HEIGHT 6.5 INCHES



See page 12 for instructions on how to use chart.

| Force Table (Use for Airstroke™ actuator design) | | | | | | |
|--|--------------------------------------|--------------|----------|----------|----------|-----------|
| Assembly Height (in.) | Volume @ 100 PSIG (in ³) | Pounds Force | | | | |
| | | @20 PSIG | @40 PSIG | @60 PSIG | @80 PSIG | @100 PSIG |
| 7.0 | 181 | 320 | 630 | 990 | 1,340 | 1,710 |
| 6.0 | 160 | 400 | 820 | 1,260 | 1,700 | 2,160 |
| 5.0 | 134 | 470 | 960 | 1,490 | 2,040 | 2,570 |
| 4.0 | 105 | 550 | 1,110 | 1,720 | 2,310 | 2,930 |
| 3.0 | 73 | 590 | 1,210 | 1,860 | 2,480 | 3,150 |